

P-38s -Bull's 2005 Best Six +



Don Bull
P. O. Box 596
Wirtz, VA 24184 U.S.A.
corkscrew@bullworks.net

In 1963 I got my first P-38* can opener courtesy of the United States Army. It came with a pack of C-Rations. On bivouac it didn't take long to learn how to use it. Hunger was a driving force. And it worked well. In my 1966 year as a bum meandering about Europe and the Middle East, I kept my P-38 handy. When I found places that wanted to buy a pint or two of my blood, I'd buy some canned beans or whatever for those nights on city park benches and alongside dusty roads.

My P-38 didn't have a corkscrew and I didn't have a bottle of wine with a cork. Now that I'm older and wiser, my P-38's have corkscrews (and a few other tools). Here's some of them that I've grown attached to:



*In the early days of WWII, the Army introduced C rations. The Subsistence Research Laboratory of Chicago designed a 1.5" folding can opener to go with the canned C Rations. Because it took 38 punches to open a C ration can and, as personnel said, it performed with at the speed of the P-38 fighter plane, it became know as simply the P-38.



One marked CREDO, one ENDERS; includes cap lifter, rectangular hole is for removing rectangular top stoppers from bottles.



The Sila Open-All opens "Beer-Milk-Oil-Fruit Juice Cans, Caps of Jars, Screw-in Bottle Stoppers, Crown Corks, Fruit-Vegetable-Meat Cans, Sardine Cans with tongue, Fish and Seafood Cans, Vacuum sealed Cans for Coffee etc., and Bottles with Cork Stoppers."



Left two: One marked LAYFA INOX 18/8, other has logo only (below); includes sardine can opener.



Right: Marked PICNIC, includes screw driver,

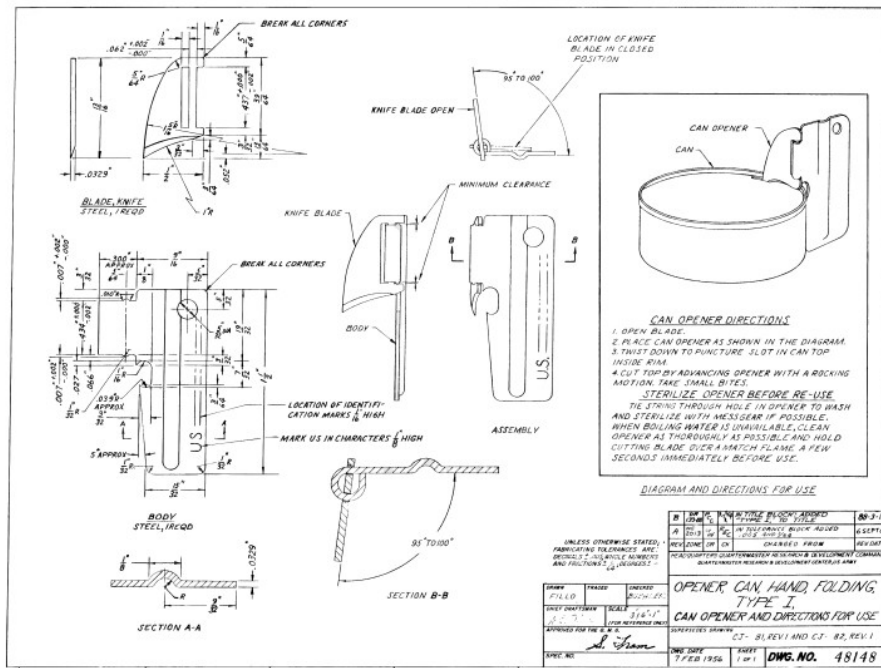


Marked TURYSTA MADE IN POLAND.



Marked MIKRO SEZAM, DO KAPSLI.

Marked with logo only:



NO	REV	BY	DATE	REASON FOR CHANGE
1	1			

UNLESS OTHERWISE SPECIFIED, FABRICATING TOLERANCES ARE DECIMALS OF AN INCH, DIMENSIONS UNLESS OTHERWISE SPECIFIED ARE IN INCHES AND FRACTIONS THEREOF.

DATE: 7 FEB 1956
 DRAWN BY: [Signature]
 CHECKED BY: [Signature]
 APPROVED BY: [Signature]

SET OF DRAWINGS